

# MULTI-LOADER FORKLIFTS



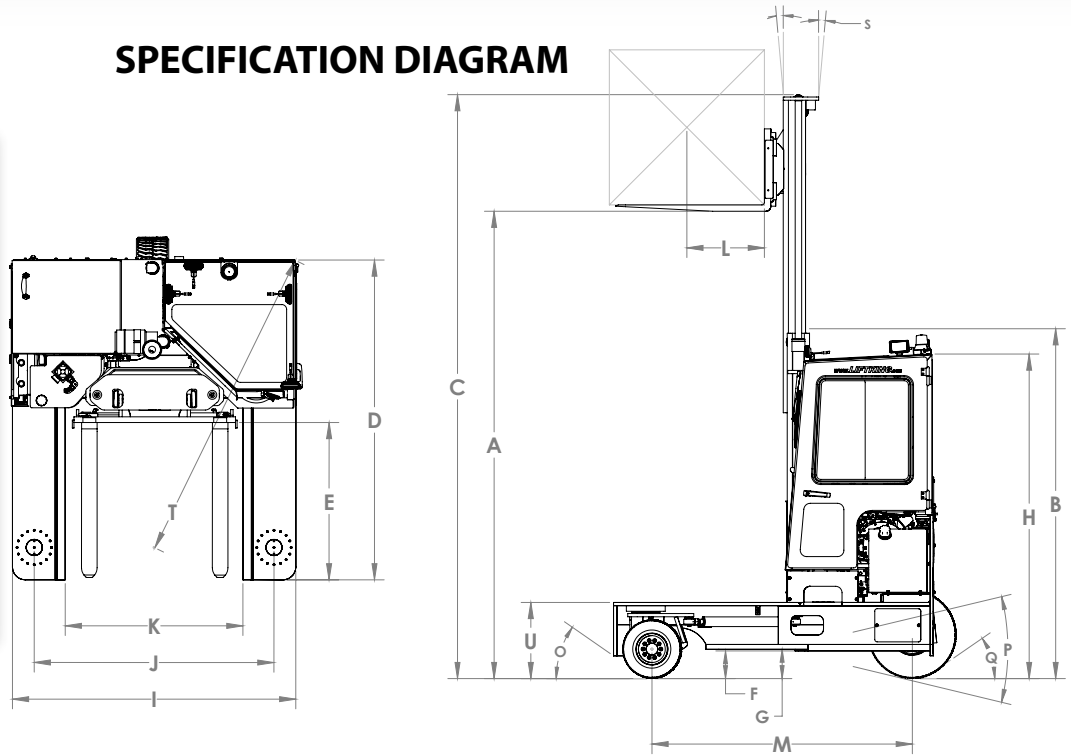
# ML Series | ML8 | ML9 | ML10 | ML12 | ML14 | ML15 | ML18 | ML20 | ML22

**ML SERIES** | Load capacity 8000 lbs – 22,000 lbs (2722 - 9979 kg ) | Lift height 12 ft – 24 ft ( 3.6 m – 7.3 m)

The ML Series is a four way Multi-loader with all-wheel drive, all-wheel steer, and all-wheel brakes that is offered in capacities from 8000 to 22,000 lbs (2722 - 9977 kg) and lift heights from 12 - 24 ft (3.6 - 7.3 m). It undertakes the duties of an aisle truck, traditional forklift, and sideloader. Equipment features include a hydrostatic drive system, a torsion resistant frame consisting of up to 8 in (203 mm) thick steel plate, and an ergonomically designed operator's compartment. Spreader bars are offered up to 360" (9144 mm) with outer fixed forks. Guide rollers can be added for specialty applications. The ML Series is ideal for handling extra-long loads that must go through narrow aisles or doorways, and on or off racking.



## SPECIFICATION DIAGRAM



SPECIFICATION	Ref		ML8	ML9	ML10	ML12	ML14	ML15	ML18	ML20	ML22	
Capacity @ 24 in (610 mm) load center	L	lbs (kgs)	8000 (3629)	9000 (4083)	10,000 (4536)	12,000 (5443)	14,000 (6350)	15,000 (6804)	18,000 (8165)	20,000 (9072)	22,000 (9979)	
Standard mast lift height	A	in (mm)	144 (3658)								180 (4572)	
Height mast closed	B	in (mm)	115 (2921)			120 (3048)			147 (3739)			
Maximum mast raised	C	in (mm)	186 (4724)			192 (4877)			237 (6020)			
Platform Length		in (mm)	48 (1219)				42 (1067)		60 (1524)			
Overall Length	D	in (mm)	99 (2515)			100 (2540)		98 (2489)		121 (3073)		
Mast Travel	E	in (mm)	48 (1219)			42 (1067)		62 (1575)				
Ground clearance under frame	F	in (mm)	8 (203)			11 (279)						
Ground to wheelbase center	G	in (mm)	9 (229)			11.5 (292)			11 (279)			
Height to overhead guard	H	in (mm)	102 (2591)			108 (2743)						
Width	I	in (mm)	87.5 (2223)			92.5 (2350)		104 (2642)		110 (2794)		
Outside spread of fork arms		in (mm)	48 (1219)				58 (1473)					
Track front	J	in (mm)	74 (1880)			79 (2007)		92 (2337)		98 (2489)		
Frame opening	K	in (mm)	55 (1397)				65 (1651)					
Wheel base	M	in (mm)	80.5 (2045)			78 (1981)		76 (1930)		101 (2565)		
Approach angle	O						45°					
Ramp angle	P						30°					
Departure angle	Q						45°					
Unladen weight	M	lbs (kgs)	13,860 (6287)	14,225 (6452)	14,469 (6563)	17,464 (7922)	19,259 (8736)	22,520 (10,215)	25,447 (11,543)	30,200 (13,698)	34,953 (15,854)	
Maximum ground speed		mph (kph)					10 (16)					
Gradeability			20%				15%					
Diesel/LPG engine			Various									
Fork section		in (mm)	6 x 46 (152 x 1168)				6 x 42 (152 x 1067)		8 x 60 (203 x 1524)			
Front tire OD/Width		in (mm)	18 x 8 (457 x 203)			23 x 9 (584 x 229)			22 x 12 (560 x 305)			
Rear tire OD/Width		in (mm)	27 x 10 (686 x 254)			32 x 8 (813 x 203)		32 x 12 (813 x 305)		33 x 14 (838 x 356)		
Forward tilt	R						5°					
Backward tilt	S						5°					
Minimum outside radius	T	in (mm)	99 (2515)			101 (2565)		108 (2743)		121 (3074)		
Platform height	U	in (mm)	24 (610)			28 (711)		30 (762)		29 (737)		

Specifications subject to change without notice



## ANY JOB, ANY TIME, ANYWHERE

No matter what the application, Liftking has a model designed for it. General construction, building construction, automotive recycling, lumber mills and yards, steel mills and yards, mining facilities, manufacturing and warehousing facilities, sod farms and nurseries, rail yards, and military applications. Our machines have you covered.

### LOAD CHARTS

Model	Lift Height (ft / m)	Capacity @ 24 in (610 mm) load centre (lbs / kg)	Capacity @ 26 in (660 mm) load centre (lbs / kg)	Capacity @ 30 in (762 mm) load centre (lbs / kg)	Capacity @ 34 in (864 mm) load centre (lbs / kg)	Capacity @ 36 in (914 mm) load centre (lbs / kg)
ML8	24 (7.3)	3000 (1361)	2100 (953)	1500 (680)	1000 (454)	600 (272)
	18 (5.5)	5000 (2268)	4100 (1860)	3500 (1588)	3000 (1361)	2600 (1179)
	12 (3.6)	8000 (3629)	7100 (3221)	6500 (2948)	6000 (2722)	5600 (2540)
ML9	24 (7.3)	3600 (1633)	2500 (1134)	1800 (816)	1200 (544)	750 (340)
	18 (5.5)	5400 (2449)	4350 (1973)	3700 (1678)	3250 (1475)	2700 (1225)
	12 (3.6)	9000 (3828)	7900 (3583)	7300 (3311)	6750 (3062)	6300 (2858)
ML10	24 (7.3)	4000 (1814)	2800 (1270)	2000 (907)	1300 (590)	800 (363)
	18 (5.5)	6000 (2722)	4800 (2177)	4100 (1860)	3600 (1633)	3000 (1361)
	12 (3.6)	10,000 (4536)	8800 (3992)	8100 (3674)	7500 (3402)	7000 (3175)
ML12	24 (7.3)	5000 (2268)	3500 (1587)	1023 (464)	667 (303)	407 (185)
	18 (5.5)	8000 (3629)	6560 (2976)	5600 (2540)	4800 (2177)	4160 (1887)
	12 (3.6)	12,000 (5443)	10,650 (4831)	9750 (4423)	9000 (4082)	8400 (3810)
ML14	24 (7.3)	6000 (2722)	4200 (1905)	3000 (1361)	2000 (907)	1200 (544)
	18 (5.5)	10,000 (4536)	8200 (3719)	7000 (3175)	6000 (2722)	5200 (2359)
	12 (3.6)	14,000 (6350)	12,400 (5625)	11,300 (5126)	10,500 (4763)	9800 (4445)
ML15	24 (7.3)	6500 (2948)	4550 (2064)	3250 (1474)	2150 (975)	1300 (590)
	18 (5.5)	10,750 (4876)	8800 (3992)	7500 (3402)	6400 (2903)	5600 (2540)
	12 (3.6)	15,000 (6804)	13,300 (6033)	12,100 (5488)	11,250 (5103)	10,500 (4767)
ML18	24 (7.3)	7700 (3493)	7300 (3311)	6700 (3039)	6200 (2812)	5900 (2676)
	18 (5.5)	12,850 (5829)	12,000 (5443)	11,300 (5126)	10,400 (4717)	9700 (4400)
	12 (3.6)	18,000 (8165)	17,000 (7711)	15,800 (7167)	10,600 (4808)	14,000 (6350)

**CONTACT FACTORY FOR ML20 – ML22 DATA** Maximum stacking capacity on a horizontal level surface; load ratings comply with ASME/ANSI B56.1 b - 2005; Safety Standards for low lift and high lift trucks

### STANDARD EQUIPMENT

LPG engine or diesel engine • Emissions compliant • Hydraulic Piston pump • All-wheel hydrostatic drive • All-wheel power steering • Hydraulic oil cooler • All-wheel enclosed wet disc brakes • Inching/brake pedal • Park brake with indicator • Remote Online Diagnostic System • Solid steel frame construction • Steel hydraulic and fuel tanks • Large heavy-duty slew bearings • Open FOPS/ROPS Compartment • Ergonomic control layout • Weather-proof switches • Fully molded adjustable (tilt/telescopic) steering column • Rubber isolated cab mount • Roof glass • Low profile mechanical suspension seat with lumbar adjustment and retractable seat belt • Grab handles and cab step • Full backlit gauge cluster including; fuel (diesel engines only), water temperature, engine oil pressure, AMP meter • Indicator lights including; water temperature, engine oil, battery, parking

brake • 2 stage I-beam mast • Sealed roller mast bearings • Clear View design • Premium mast chain • Sealed, hardened chain pulleys • Shaft/ITA carriage • Shaft/ITA forks • 12 Volt negative ground system • 575 CCA battery • 70 AMP alternator • Labeled fuse panel • Amber strobe light • 4-way light package • 10 micron filtration system • Horn and back-up alarm • Super elastic tires • Tie down provisions.

### OPTIONAL EQUIPMENT

Lockable fuel, hydraulic, engine hood, and battery compartment • Enclosed all-weather cab • Cab heater and multi-speed fan • AM/FM CD sound system • Cup holder • Cab dome light • Customizable masts, carriages and forks • Spreader bars up to 360" • Grapple • Hydraulic fork positioning • Auxiliary hydraulics • Free lift • Custom colors • Special platform lengths • Guide roller system.



Liftking is ISO 9001:2008 registered (EN ISO 9001:2008; BS EN ISO 9001:2008; ANSI/ASQ Q9001:2008)



Liftking reserves the right to make changes in specifications shown, herein, and improvements, or discontinue manufacture at any time without notice or obligation. The information contained herein is general in nature and is not intended for specific application purposes.

7135 Islington Avenue, Woodbridge, Ontario. L4L 1V9  
Tel: 905-265-3965 | Fax: 905-851-6396